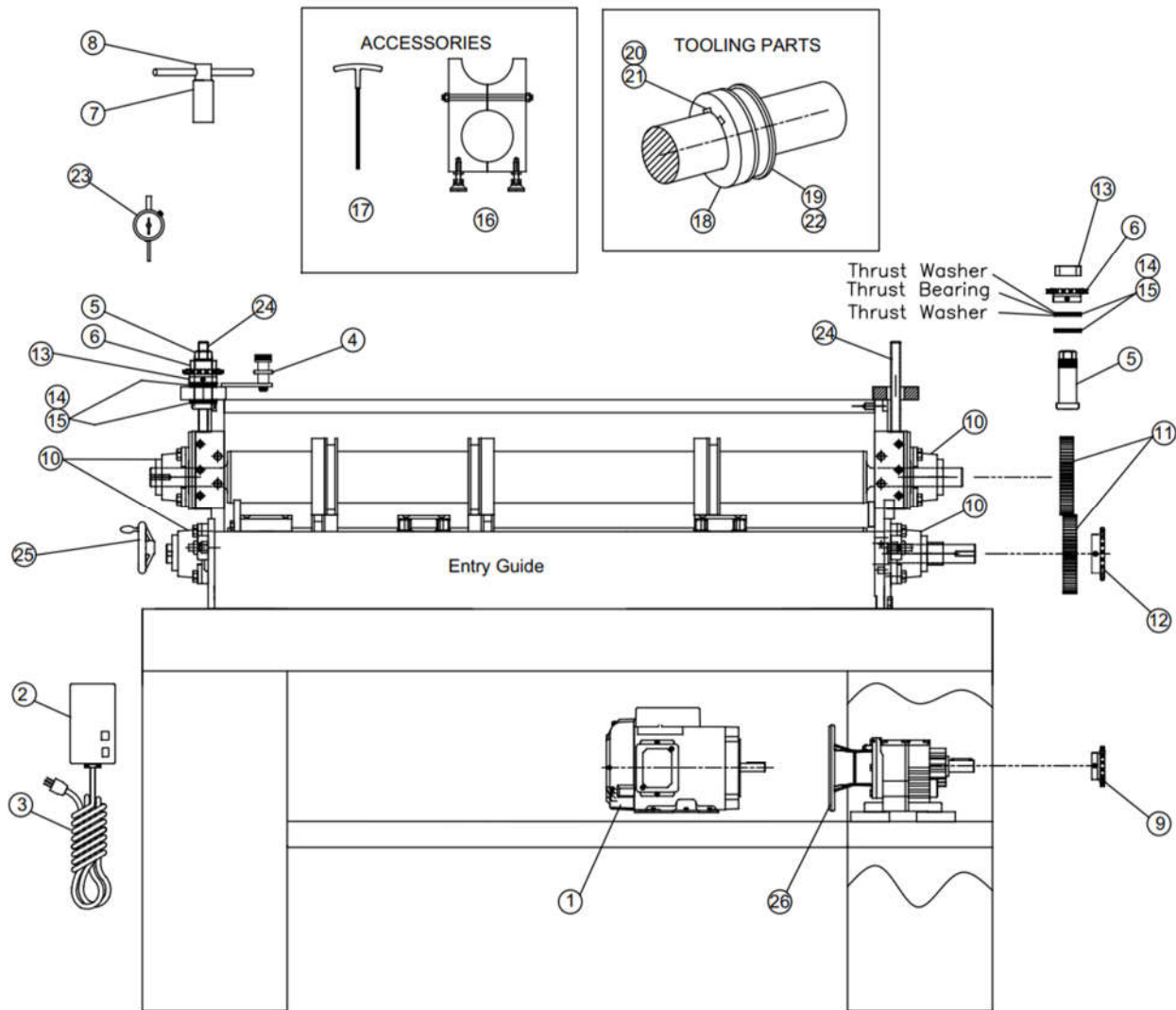


448 W/ 120V MOTOR



Part No.	Key No.	Description	Part No.	Key No.	Description
*31TR91	1	1 HP AC Motor 115/208-230V-1 PH 56C Frame	*TRD-2233	14	Thrust Washer
203100	2	Starter 110V Only, 1 HP, 12.5 A G8290	*NTA-2233	15	Thrust Bearing
200008	3	Plug & Cord-110V	203117	16	Arbor Support
*200003	4	Chain Tensioning Bearing	200011	17	3/16" T-Handle
*93101-01	5	Penetration Hub Assembly	203104	18	4" x 6" x 1" D2 (HCHC) Slitter Knife
*6438K38	6	Clamp Collar 1 3/8-12 NF	203109	19	4 x 6 x 1.5 Stripper Ring
*5545A292	7	6-Point Deepwell Socket 1-1/8 x 3-1/4" long	285022	20	234 Gib Key
*5523A13	8	Sliding T-Handle 1/2 Square Drive	285018	21	234 Set Screw
*50B14 x 1	9	Drive Sprocket 50B14 x 1" STD	285933	22	4 x 6 Clamp
	10	Flange Bearing Type "E" 1-7/16 bore	*623-5VGC	23	Dial Indicator - 1"
	11	Change Gear 1-7/16" bore		24	Adjuster Screw Threaded Rod
	12	Driven Sprocket 50B19 x 1-7/16" STD. (80fpm)	*6033K71	25	4 1/2" Dia. Entry Guide Hand Wheel
	13	Sprocket 40B18 x 1-3/8	*R27AM56	26	24.47:1 Gearbox

